



SCAN FOR
MORE INFO

SH-KLQF



LOCINOX[®]

Let's make it better together

Adjustable security keep
out of stainless steel

500 K CYCLES

STAINLESS MATERIAL

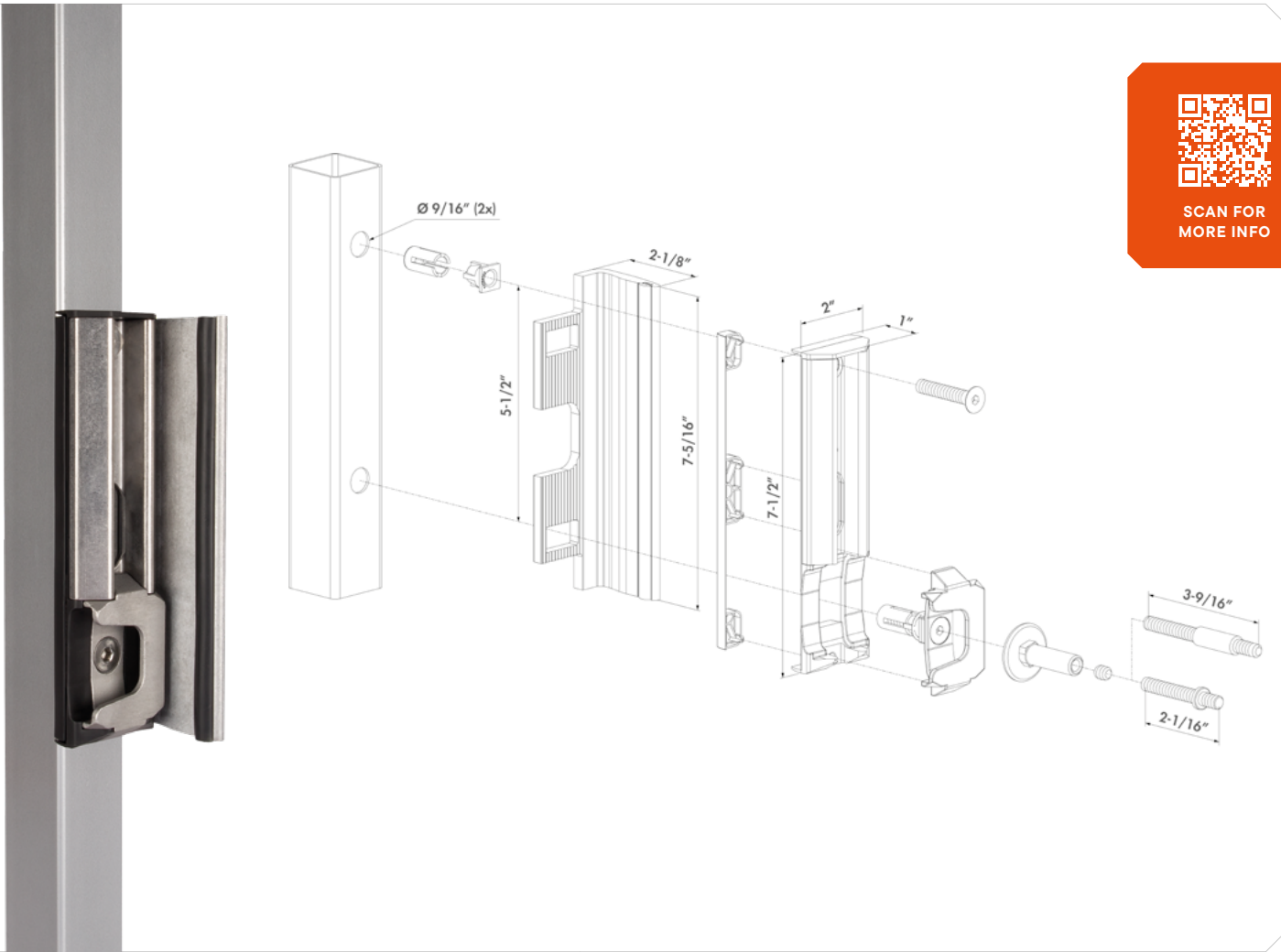
PREMIUM QUALITY



Find out more: locinoxusa.com | help@locinoxusa.com



SCAN FOR
MORE INFO



LOCINOX

SH-KLQF

Adjustable security keep out of stainless steel

The aluminum security keep is used as a standard for industrial and chain link gates as well as any gate where higher security is desired. The patented stainless steel anchoring system prevents prying the gates open and eliminates the need to install a transom over the gate. The unique Quick-Fix bolt ensures a fast and strong installation. The adjustable stop plate with rubber bumper adjusts to gate profiles up to 2-1/2" and fits on all latch posts 1-1/2" or larger. Latch gap: 1-1/4"



Specifications

- Reinforced stainless steel security keep for round and square profiles
- Stainless steel anchoring system included
- Easy left or right hand changing
- Innovative Quick-Fix mounting
- Prevents opening the gate with a crowbar
- For rectangular and round profiles
- Aluminum adjustable slam plate with shock rubber
- Adjustable for gate profiles:
1-1/2" (K) to 2-1/2" (L)