



SCAN FOR
MORE INFO



STAINLESS MATERIAL

150K CYCLES

VANDAL PROOF



LOCINOX[®]

Let's make it better together

Surface mounted lock with external battery powered keypad

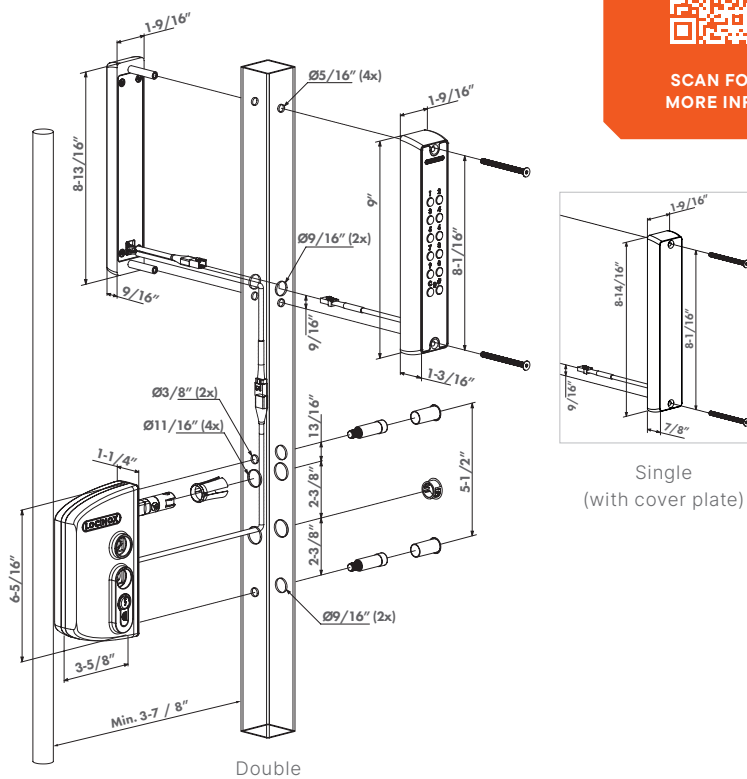
With VOLTA, you can easily add access control to your gate. This solution combines a surface-mounted lock with a separate keypad, connected through the gate profile.



Discover more: locinoxusa.com | help@locinoxusa.com



SCAN FOR MORE INFO



LOCINOX

Volta

Surface mounted lock with external battery powered keypad

This combination of a surface mounted lock and keypad enables access control anywhere.

The innovative battery pack ensures quick installation without wiring to the gate and a long lifespan - allowing VOLTA to open and close up to 40 times a day, for up to 10 years.

- Extremely robust and vandal-proof design
- Supports codes for permanent open and free exit
- Weather-resistant and LED-lit keypad
- Possibility to work with different entrance and exit codes
- Low battery warning light
- Fast and easy installation in the modular Locinox hole pattern



Features

Configurations	Double sided or single sided with cover plate
Gate profile dimensions	1-9/16" to 2-3/8" Suitable for fencing with different types of filling
Material	Lock box: ISO 9227 KTL Keypad: Aluminum
Cylinder	EU cylinder (included)
Codes	Up to 100 codes Codes of 4-8 digits Free exit possible
Power supply	Battery pack (included)
Battery life	10+ years 40 times a day = 150.000 cycles
Mounting	Keypad: Screws through the gate profile Lock: 4-hole mounting with 2 Allen bolts
Adjustability	Left/right reversible
Weather resistance	IP56
Color	Keypad: RAL9005, SILV Lockbox: RAL9005, RAL7016, SILV
Warranty	2 years