



SCAN FOR
MORE INFO

CARACAL



LOCINOX[®]

Let's make it better together

Hydraulic 180° gate closer
and hinge

500 K CYCLES

GLASSFIBER

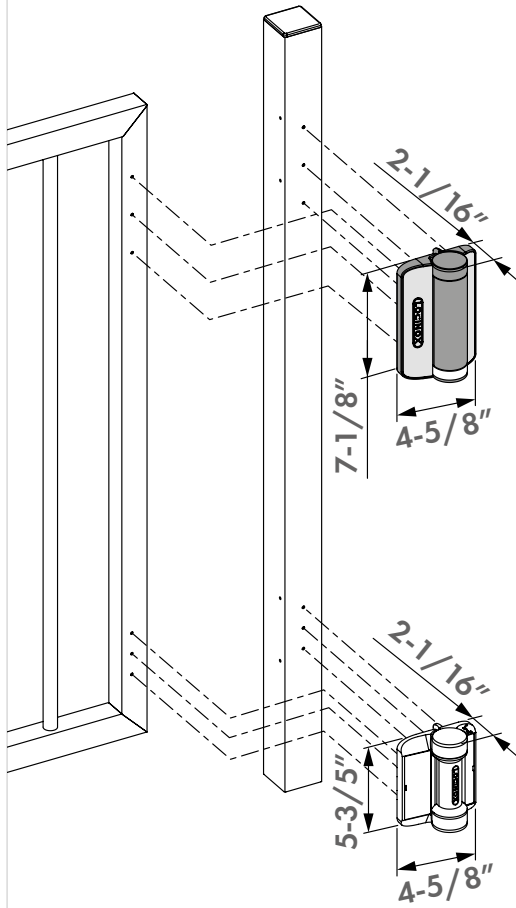
PREMIUM QUALITY



Find out more: locinoxusa.com | help@locinoxusa.com



+ Serval



SCAN FOR MORE INFO

LOCINOX®

CARACAL

Hydraulic 180° gate closer and hinge

Aesthetic 180° gate closer with adjustable closing speed. The glassfibre reinforced PA housing protects the high-tech internal components, allowing for a perfect functioning in all weather circumstances. Its $13/16\text{'}$ vertical and horizontal adjustability ensures an easy and flexible installation. Firmly fixed with self drilling screws - no welding required. Suitable for installation on square and round frames. Caracal is a perfect fit for swimming pools, playgrounds, parks and garden gates. Including Serval self closing hinge.



Specifications

- Automatic 180° closure with adjustable closing speed
- Glassfiber reinforced PA housing
- Patented hydraulic damping - consistent closing speed, regardless of temperature
- For left and right turning gates
- Fast and easy fixing with self drilling screws
- $13/16\text{'}$ horizontal and vertical adjustability
- Easy to open: Max. 11 Nm
- For installation on round frame: CLB-CARACAL to be ordered additionally