



SCAN FOR  
MORE INFO

# Valentino



STAINLESS MATERIAL

150K CYCLES

BATTERY POWERED



**LOCINOX**<sup>®</sup>

Let's make it better together

## Surface mounted battery powered code lock

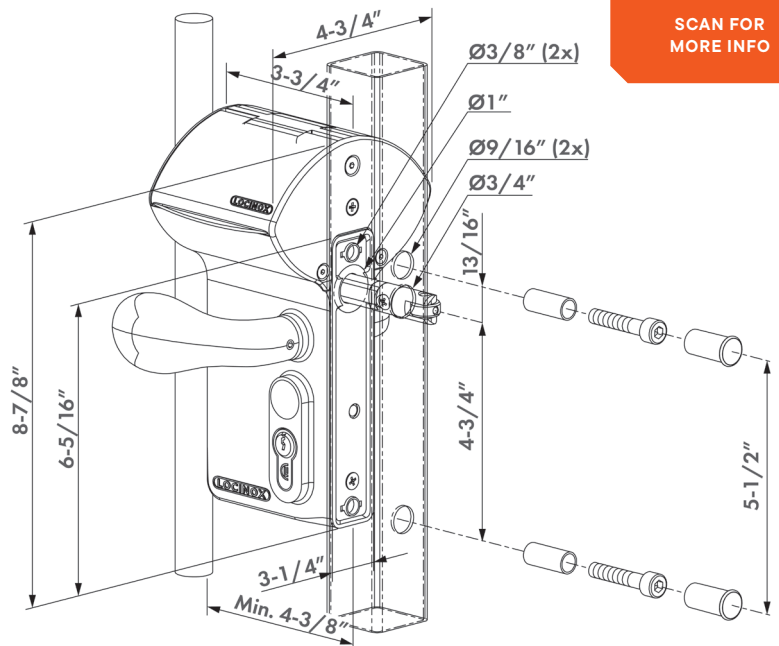
High quality battery powered electronic code lock with aluminum housing. Valentino's energy efficient design makes it very easy to equip any gate with access control, with a minimal need for maintenance.



Discover more: [locinoxusa.com](http://locinoxusa.com) | [help@locinoxusa.com](mailto:help@locinoxusa.com)



SCAN FOR  
MORE INFO



**LOCINOX**

# Valentino

## Surface mounted battery powered code lock

PIN codes can be easily added, modified or removed. The  $13/16''$  continuous adjustability of the bolts allows a perfect latching / locking of the mechanism.

- Supports codes for permanent open and free exit
- Different entrance and exit codes
- Fast and easy installation in the modular Locinox hole pattern
- Weather-resistant and LED-lit code panel
- Low battery warning light



## Features

Configurations	For square or round profiles Several handle options Keyed alike or keyed to differ
Gate profile dimensions	$1\text{-}3/16''$ to $4\text{-}12/16''$
Material	Lock box: ISO 9227 KTL
Cylinder	EU cylinder (included)
Codes	Up to 100 codes Codes of 4-8 digits Free exit possible
Power supply	Battery pack (included)
Battery life	10+ years 40 times a day = 150.000 cycles
Fixation	4-hole mounting with 2 Allen bolts
Adjustability	Left/right reversible
Weather resistance	IP56
Color	RAL9005, RAL6005, SILV
Warranty	2 years