



SCAN FOR  
MORE INFO

# vita



STAINLESS MATERIAL

PREMIUM QUALITY

MECHANICAL



**LOCINOX**<sup>®</sup>

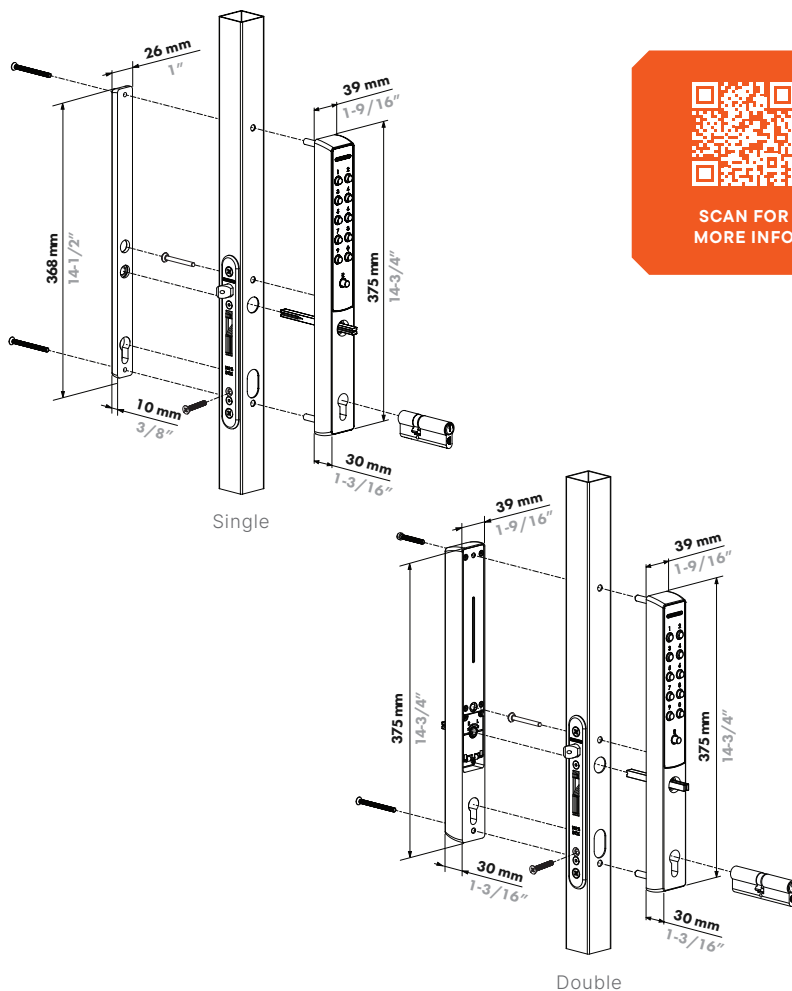
Let's make it better together

## Mechanical code lock for insert locks

Simple, maintenance-free access control for gates equipped with an insert lock (FORTY-, FIFTY-, SIXTY- or EIGHTYLOCK). VITA is a mechanical code lock that operates without electricity.



Find out more: [locinoxusa.com](https://locinoxusa.com) | [help@locinoxusa.com](mailto:help@locinoxusa.com)



# Vita

## Mechanical code lock for insert locks

Available in two configurations: a double version with a keypad on both sides, or a single version with one keypad and a free exit.

- Double-sided keypad or single-sided keypad (free exit) with cover plate
- Different entrance and exit codes
- Easy and fast set-up or modification of the access codes
- Extremely strong and vandal proof design
- Aluminum housing with textured paint (black) or anodization (silver)
- Anti-code detection with integrated security press plate
- Compatible with SFKU-V and SFKO-V
- Compatible with FORTY-, FIFTY-, SIXTY- or EIGHTYLOCK (lock not included)
- UNIWING-compatible



## Features

Configurations	Double sided keypad Single sided with cover plate
Gate profile size	For 1-1/2", 2", and 2-3/8" profile depths
Material	Housing: aluminum Black: powder coated Silver: anodized
Cylinder	EU cylinder (included)
Codes	Different entrance and exit codes Free exit with cover plate
Fixation	Screws through the gate profile
Adjustability	Left/right reversible
Weather resistance	Designed for outdoor use
Colour	RAL9005, SILV
Warranty	2 years