



SCAN FOR
MORE INFO



SSKZ QF



Let's make it better together

Sliding gate keep with Quick-Fix

500 K CYCLES

STAINLESS MATERIAL

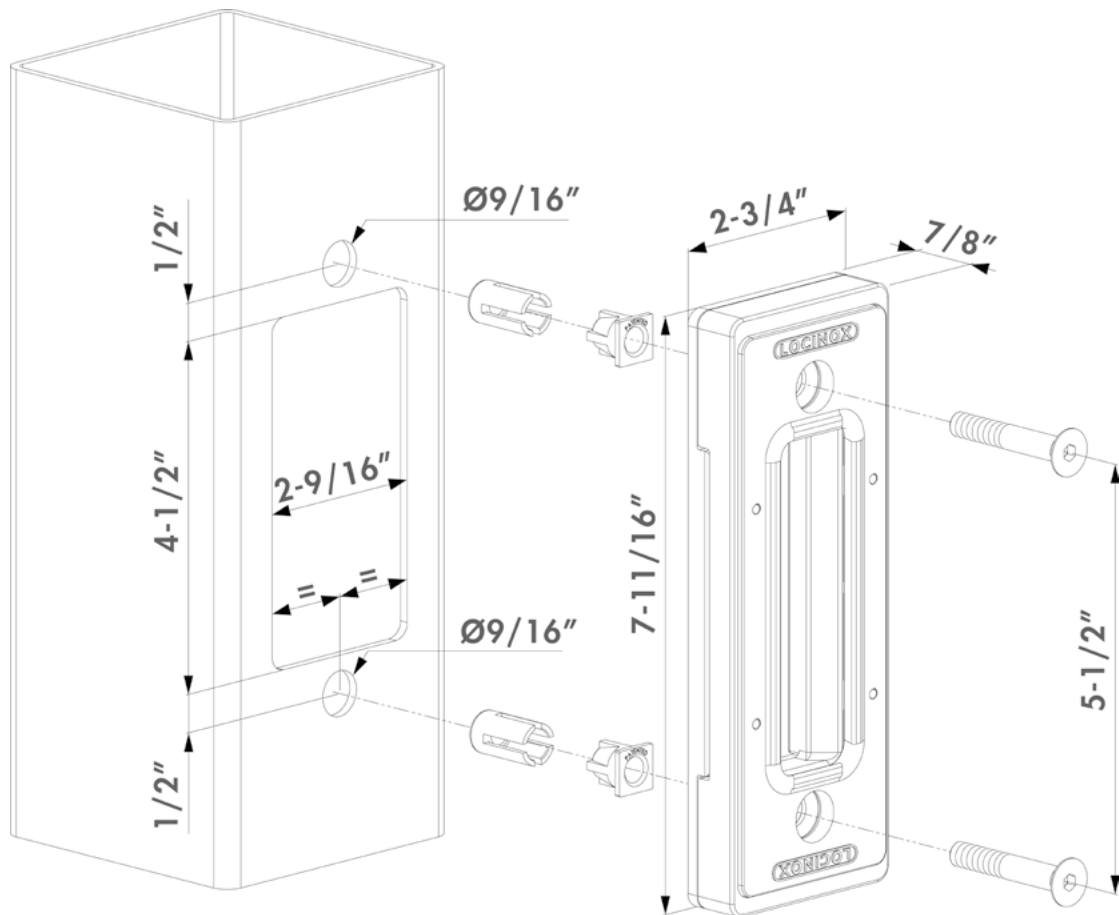
PREMIUM QUALITY



Find out more: locinoxusa.com | help@locinoxusa.com



SCAN FOR
MORE INFO



LOCINOX



SSKZ QF

Sliding gate keep with Quick-Fix

Stainless steel sliding keep for hollow posts. The keep is 5/8" auto-adjustable left/right for an easy and secure anchoring of the gate lock. A rubber stop prevents the gate from being damaged in closed position.

Specifications

- Keep in stainless steel for square profiles
- Minimum profile size: 3" wide
- Fast and easy fixing with Quick-Fix
- The keep is 3/8" left/right auto-adjustable for easy and secure anchoring of the Twistfinger
- The rubber stop prevents damaging the gate frame